

**PLEASE CHECK WWW.MOLEX.COM FOR LATEST PART INFORMATION**

**Part Number:** [0532590329](#)  
**Status:** **Active**  
**Description:** 3.50mm (.138") Pitch Header, Right Angle, Lead-free, 3 Circuits, Brass (CuZn) Contact

**Documents:**

[3D Model](#) [Product Specification PS-51067-019 \(PDF\)](#)  
[Drawing \(PDF\)](#) [RoHS Certificate of Compliance \(PDF\)](#)

**Agency Certification**

CSA LR19980  
 UL E29179

**General**

Product Family PCB Headers  
 Series [53259](#)  
 Application Wire-to-Board  
 Product Name N/A

**Physical**

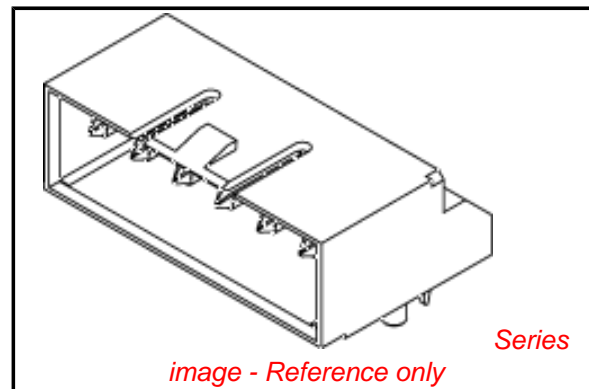
Breakaway No  
 Circuits (Loaded) 3  
 Circuits (maximum) 3  
 Durability (mating cycles max) 30  
 First Mate / Last Break No  
 Flammability 94V-0  
 Glow-Wire Compliant No  
 Guide to Mating Part Yes  
 Keying to Mating Part Yes  
 Lock to Mating Part Yes  
 Material - Metal Brass  
 Material - Plating Mating Tin  
 Material - Plating Termination Tin  
 Number of Rows 1  
 Orientation Right Angle  
 PC Tail Length (in) 0.138 In  
 PC Tail Length (mm) 3.50 mm  
 PCB Locator Yes  
 PCB Retention None  
 PCB Thickness Recommended (in) 0.062 In  
 PCB Thickness Recommended (mm) 1.60 mm  
 Packaging Type Tray  
 Pitch - Mating Interface (in) 0.138 In  
 Pitch - Mating Interface (mm) 3.50 mm  
 Polarized to PCB Yes  
 Shrouded Fully  
 Stackable No  
 Temperature Range - Operating -40°C to +105°C  
 Termination Interface: Style Through Hole

**Electrical**

Current - Maximum per Contact 5.5A  
 Voltage - Maximum 250V

**Material Info**

**Reference - Drawing Numbers**



**EU RoHS**

**ELV and RoHS Compliant**  
**REACH SVHC**  
 Not Reviewed  
**Halogen-Free Status**

**China RoHS**



**Not Halogen-Free**

**Need more information on product environmental compliance?**

Email [productcompliance@molex.com](mailto:productcompliance@molex.com)  
 For a multiple part number RoHS Certificate of Compliance, [click here](#)

Please visit the [Contact Us](#) section for any non-product compliance questions.

**Search Parts in this Series**

[53259Series](#)

**Mates With**

[51067](#) Crimp Housing. [50217](#) Crimp Terminal

Product Specification

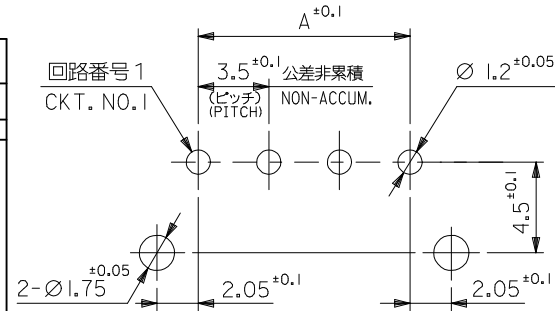
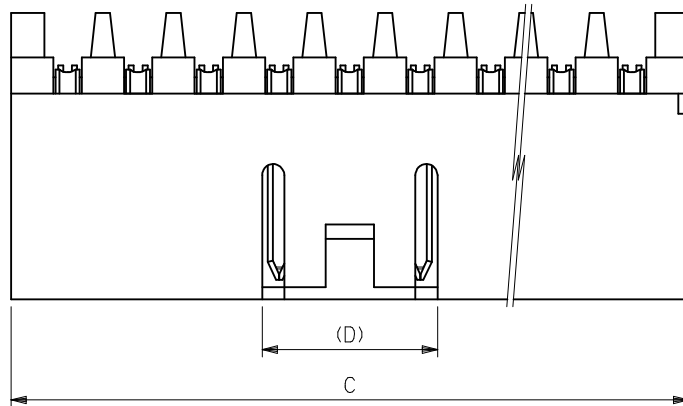
Sales Drawing

PS-51067-019, RPS-51067-019, RPS-51067-021,  
RPS-51067-025, RPS-51067-037, RPS-51067-041  
SD-53259-003

This document was generated on 04/16/2010

**PLEASE CHECK [WWW.MOLEX.COM](http://WWW.MOLEX.COM) FOR LATEST PART INFORMATION**

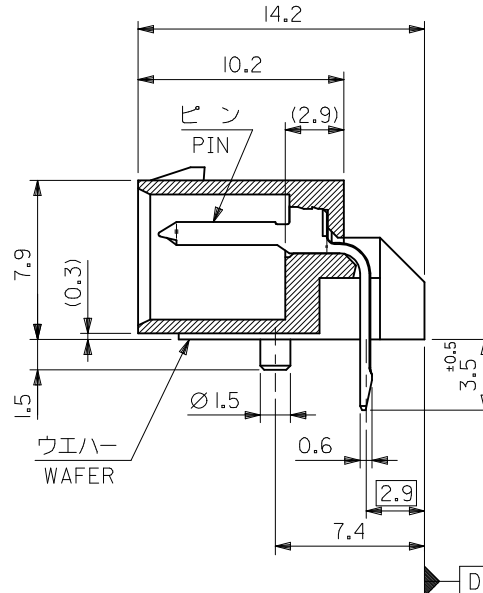
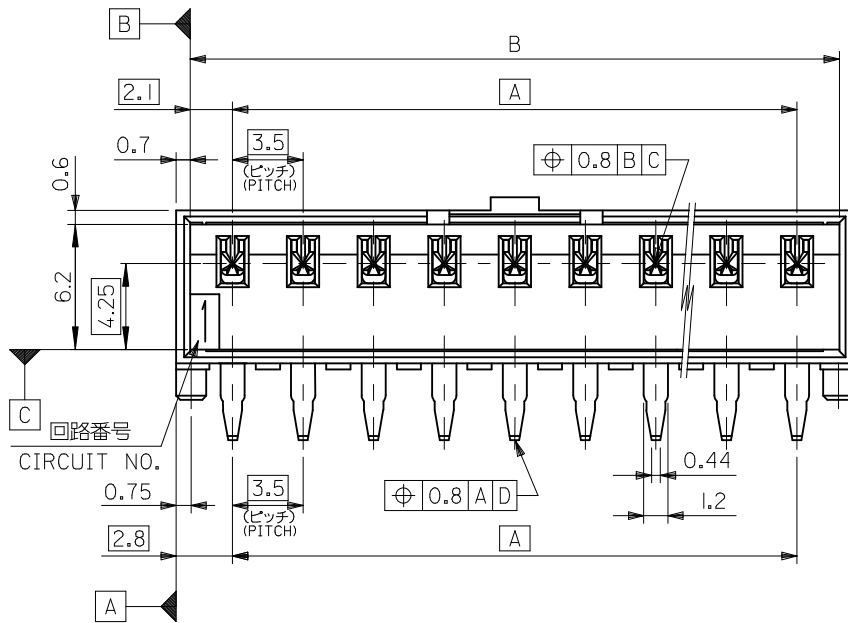
10 9 8 7 6 5 4 3 2 1



基板取付穴推奨寸法 (参考) (t = 1.6)  
RECOMMENDED P.C. BOARD HOLE DIM. (REF.)

注記 NOTES

- 嵌合相手 : 51067 シリーズ  
MATE WITH : 51067 SERIES
- 材質  
MATERIAL  
ウエハー : PBTP (ガラス15%入り) 、UL94V-0  
WAFER : PBTP (G.F 15%) ,UL94V-0  
ピン : 黄銅、ニッケル下地 鍍メッキ (t=0.254)  
PIN : BRASS  
TIN OVER NICKEL PLATING (t=0.254)
- 本製品は 53259- \*\*20 の鉛フリー品である。  
THIS PRODUCT IS LEAD FREE OF 53259-\*\*20.
- メッキ仕様  
TERMINAL PLATING  
表面メッキ : スズメッキ 1μm MIN.  
SURFACE PLATE : TIN 1μm MIN.  
下地メッキ : ニッケルメッキ 1μm MIN.  
UNDER PLATE : NICKEL 1μm MIN.



8.7	54.6	53.2	49.0	53259-1529	15
	51.1	49.7	45.5	-1429	14
	47.6	46.2	42.0	-1329	13
	44.1	42.7	38.5	-1229	12
	40.6	39.2	35.0	-1129	11
	37.1	35.7	31.5	-1029	10
	33.6	32.2	28.0	-0929	9
	30.1	28.7	24.5	-0829	8
	26.6	25.2	21.0	-0729	7
	23.1	21.7	17.5	-0629	6
	19.6	18.2	14.0	-0529	5
8.7	16.1	14.7	10.5	-0429	4
6.1	12.6	11.2	7.0	-0329	3
6.1	9.1	7.7	3.5	53259-0229	2
(D)	C	B	A	TRAY PACKAGE	CKT. 極数
				ORDER No. オータ-番号	

MODEL NO. 53259-\*\*29

REVISED EC NO: J2010-0817 DRWN:SKUROSE 2009/10/22 CHKD:KASAKAWA 2009/10/22 APPR:NIKI ITA 2009/10/22	GENERAL TOLERANCES (UNLESS SPECIFIED)		DIMENSION STYLE <b>MM ONLY</b>		SCALE <b>4:1</b>		DESIGN UNITS <b>METRIC</b>		THIRD ANGLE PROJECTION		
	10 UNDER	±0.2	DRAWN BY	DATE	TITLE						
	10 OVER 30 UNDER	±0.25	T. UENO	2004/04/22	3.5 W/B CONN W.A. R/A -LEAD FREE- MOLEX MOLEX INCORPORATED						
	30 OVER	±0.3	CHECKED BY	DATE							
ANGULAR ±3 °		APPROVED BY		DATE		DOCUMENT NO.		SHEET NO.			
DRAFT WHERE APPLICABLE MUST REMAIN WITHIN DIMENSIONS		M. SASAO		2004/04/22		SD-53259-003		1 OF 1			
		MATERIAL NO.		SEE TABLE						THIS DRAWING CONTAINS INFORMATION THAT IS PROPRIETARY TO MOLEX INCORPORATED AND SHOULD NOT BE USED WITHOUT WRITTEN PERMISSION	

MATERIAL 材料  
注記参照  
SEE NOTES